



IDEAL FOR CURVED INSTALLATIONS

BT8390-AAC

SYSTEM X™

ANGLE ADJUSTMENT CONNECTOR



The BT8390-AAC is a connector that allows System X mounting rails to be joined together with an adjustable angle from -45° to +45°. This enables a solid, stable installation of curved multi-screen displays such as videowalls and menu boards and facilitates an installation process which is both quick and simple, aided by integrated angle guides.

SPECIFICATION

Angle adjustment range	+/- 45°
Colour	Black

FEATURES

- Fixes between two BT8390 rails to provide an angled joint - ideal for installations that require a curve
- Integrated angle guides: +/-45 degrees
- Integrated rail mounting guides (to show where to fix the BT8390 rails to reduce installation time and eliminate having to measure each time)
- All fixings included



SYSTEM X™



Integrated angle guides eliminate the need to measure required angles



Integrated rail mounting guides ensure the join position is consistent throughout the installation without the need to measure

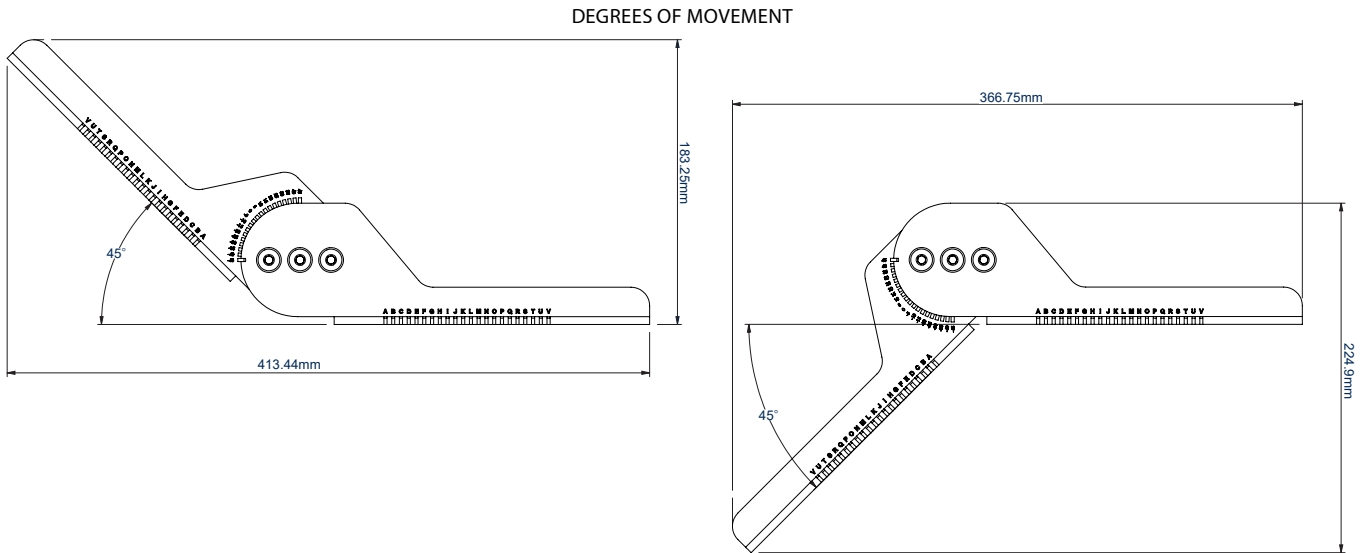
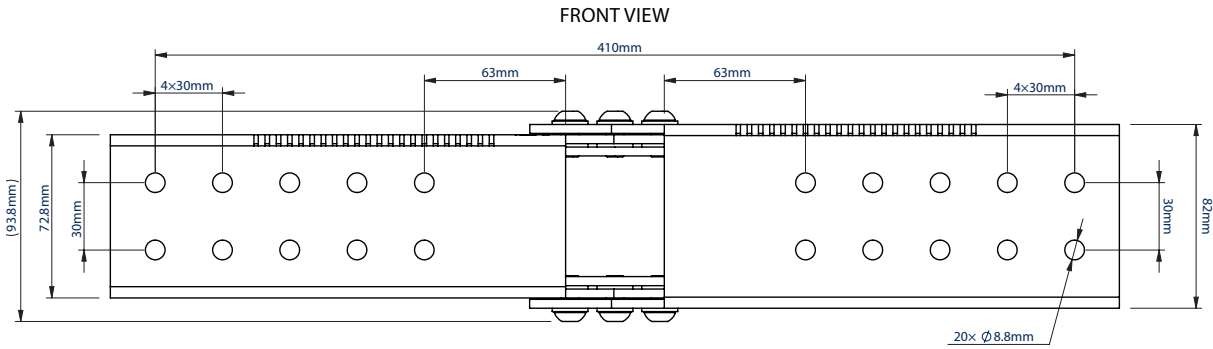
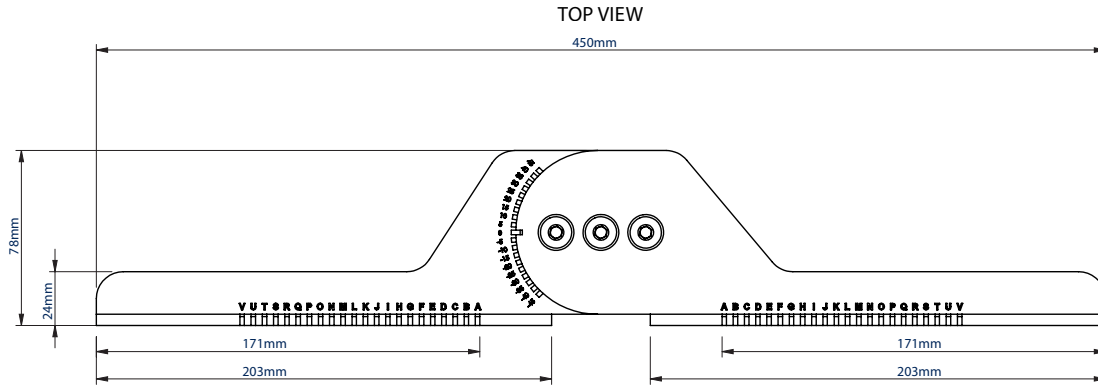


Angle up to +/-45° to create a concave or convex curve



Ideal for assembling curved videowalls and menu boards





PACKING INFORMATION

COLOUR:	ORDER REF:	EAN CODE:	MASTER CARTON QTY:	INNER CARTON QTY:	MASTER CARTON WEIGHT:	MASTER CARTON CUBE:
Black	BT8390-AAC/B	5019318501951	8	N/A	24kg	0.0440

ORIGINAL DESIGNS BY B-TECH AV MOUNTS - REGISTERED DESIGNS & PATENTS APPLY

RELATED PRODUCTS

BT8390-030/050/070/150/175/200



System X Mounting Rails are available in multiple lengths to create a huge range of wall mounting solutions

BT8380



Vertical Support Columns for freestanding, mobile or bolt-down screen mounting

BT8390-JPK



Joining Plate Kit for fixing mounting rails to vertical support columns

BT8380-BASE



Floor Base for Trolleys and Stands for freestanding or mobile screen mounting solutions

© 2019 B-Tech Av Mounts. All rights reserved. The information in this specification does not constitute an offer of any product. B-Tech Av Mounts is not responsible for any damage or loss of data caused by improper use of its products. Any reproduction or transmission of any part of this specification is strictly prohibited unless prior written permission has been granted by B-Tech Av Mounts. BT8390-AAC-020819